

Redneck Fans



**High Performance
Fan Kits**

from

Delta "T" Systems

- Built from rugged Type 1 PVC
- High output design
- TEFC rolled steel motors
- Assembles in minutes using standard tools
- Available in 7 standard sizes from 11 to 30 inches
- Delta T quality at an extremely competitive price



**OEMs - Redneck Fans are also
available in custom configurations
and fully assembled**

Delta "T" Systems, Inc. 561-204-1500 www.deltatsystems.com

Redneck Fans



- Available in 7 standard sizes from 11 to 30 inches

- Delta T quality at an extremely competitive price

Design & Construction — Axial Ventilation Fans produced by Delta “T” Systems are specifically designed and built for the rigors of the marine environment — not adapted from other industries. Flanged housings of welded class 1 PVC provide lightweight and excellent corrosion resistance. Major assembly hardware is corrosion resistant stainless steel for long life.

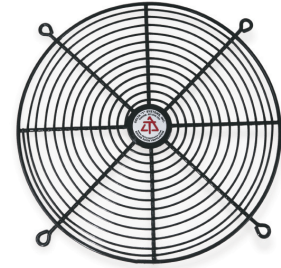
Motors — Premium efficiency three phase and single phase direct drive motors are utilized to provide quiet continuous duty service. Available with “CE” Classification, 50 or 60 HZ, and optional I-EEE-45 Certification, these motors are designed for worldwide applications and can be provided in nearly any voltage configuration. Standard motor sizes from 3/4 HP to 10 HP are available.

Fan Hubs & Blades — Corrosion resistant aluminum hubs are secured directly to the motor shaft using multiple locking methods for enhanced safety and reliability. Fan blades are non-corrosive polypropylene composite and are factory balanced for smooth operation and long life cycles. The high performance airfoil blade shape provides for exceptional flow characteristics and low sound levels. All fans are tested in accordance with AMCA Standard 210. Redneck Fans have a non-overloading characteristic; the peak power input occurs within the range of normal operating pressures and is always exceeded by the motor rating.

Standard Sizes — Our Redneck series fans range in size from 12” ID to 30” ID.

Accessories

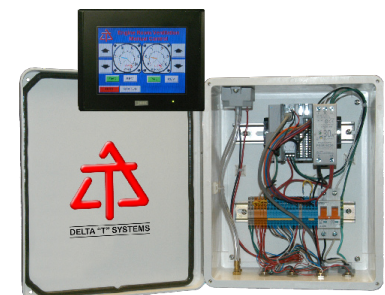
Fan Guards



Variable Frequency Drives



Control Systems



P/T 5 Automatic
Fan Control



C2 Manual
Fan Control



Delta “T” Systems 858 West 13th Court, Riviera Beach, FL 33404

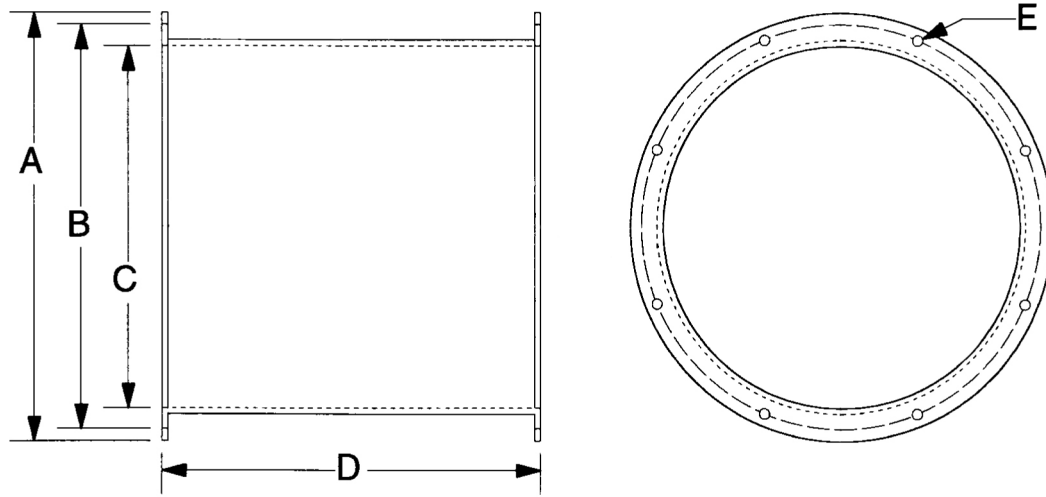
Phone 561-204-1500 Fax 561-848-1611 info@deltatsystems.com www.deltatsystems.com



DELTA "T" SYSTEMS

Redneck Fans

Standard Dimensions



Fan Size	A OD	B Bolt Circle	C ID	D Length	E Bolt Holes
11 in. 279.4 mm	14 3/4 in. 374.7 mm	13 3/4 in. 349.3 mm	11 in. 279.4 mm	16 in. 406.4 mm	8 x 3/8 in. 8 x 9.5 mm
14 in. 355.6 mm	17 3/4 in. 450.9 mm	16 3/4 in. 425.5 mm	13 5/8 in. 346.2 mm	16 in. 406.4 mm	8 x 7/16 in. 8 x 11 mm
18 in. 457.2 mm	21 3/4 in. 457.2 mm	20 3/4 in. 527.0 mm	17 5/8 in. 447.8 mm	16 in. 406.4 mm	8 x 9/16 in. 8 x 14.3 mm
20 in. 508.0 mm	23 3/4 in. 603.3 mm	22 3/4 in. 577.9 mm	19 1/2 in. 495.3 mm	18 in. 457.2 mm	12 x 9/16 in. 8 x 14.3 mm
24 in. 609.6 mm	26 3/4 in. 679.5 mm	25 3/4 in. 654.0 mm	23.5 in. 596.9 mm	18 in. 457.2 mm	12 x 9/16 in. 8 x 14.3 mm
28 in. 609.6 mm	31 3/4 in. 609.6 mm	29 13/16 in. 654.0 mm	27.6 in. 701.0 mm	24 in. 609.6 mm	12 x 9/16 in. 8 x 14.3 mm
30 in. 762.0 mm	33 3/4 in. 857.2 mm	32 5/16 in. 820.7 mm	29.6 in. 751.8 mm	24 in. 609.6 mm	16 x 9/16 in. 16 x 14.3 mm

SPECIFICATIONS SUBJECT TO CHANGE WITHOUT NOTICE.