

M673LD3 - 5 kW/4.5 kW

Dimensional Drawing

AC Output¹

5 kW 60 Hz, 1800 RPM, 1 Ph, 1.0 PF,
120-240 V/25 A, 120 V/50A

4.5 kW 50 Hz, 1500 RPM, 1 Ph, 1.0 PF,
220 V/22.7 A

Voltage regulation ±5%

Lugger L673L Engine

Type Vertical inline 3 cylinder diesel

Displacement 46.4 in³ (0.761 ltr)

Bore/Stroke 2.64/2.83 in (67/72 mm)

HP @ RPM 10.1/1800 8.4/1500

Approx. fuel use 1800 RPM @ full load² 0.59 gph (2.2 lph)

1800 RPM @ half load² 0.32 gph (1.2 lph)

1500 RPM @ full load² 0.50 gph (1.9 lph)

1500 RPM @ half load² 0.28 gph (1.1 lph)

Installation Data & Weight

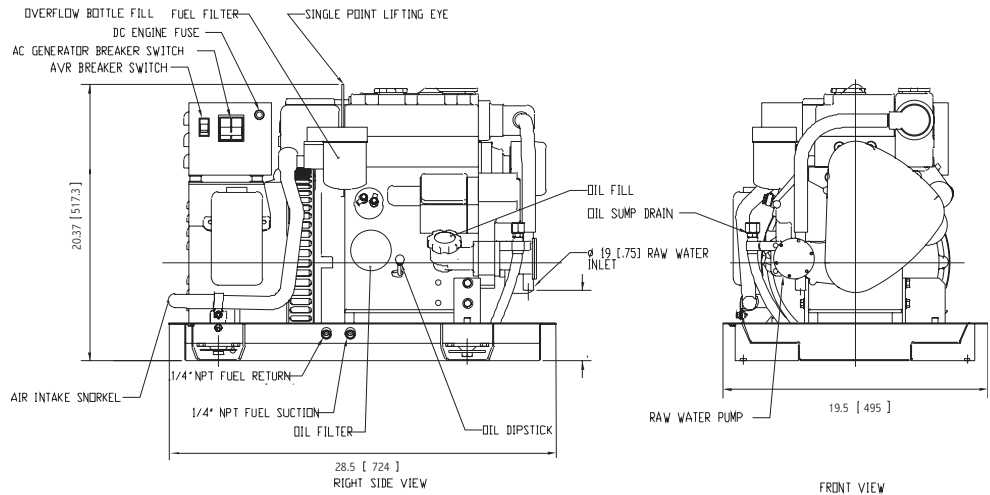
Wet exhaust elbow 1.5 inch (38 mm) OD

Raw water inlet 3/4 inch (19 mm) OD

Fuel inlet and return 5/16 inch ID Hose

Approximate dry weight 377 lbs (171 kg)

1. Based on SAE J1995 and ISO 3046. 2. Actual fuel consumption will vary depending on operating conditions.



M673LD3 Overall Dimensions L x W x H: 28.5 x 19.5 x 20.1 inch (724 x 495 x 510 mm)
Sound Enclosure Dimensions L x W x H: 28.5 x 19.5 x 20.8 inch (724 x 495 x 528 mm)
Sound Enclosure Weight: 44 lbs (20 kg)

Dimensions given in inches (mm). Dimensions subject to change without notice. Contact dealer or visit www.northern-lights.com for most current installation drawings.

M673LD3 Features and Benefits

Engine Block

- Four cycle, 3 cylinder, liquid cooled, naturally aspirated, overhead valve diesel.
- Swirl combustion chambers improve fuel efficiency and reduce smoke.
- Glow plugs for quick cold starting.

Cooling System

- Freshwater cooling with siphon break.
- Heat exchanger or keel cooled.
- One-piece heat exchanger, expansion tank and liquid cooled exhaust manifold. Fewer troublesome hoses and gaskets. Cast iron to resist corrosion and electrolysis.
- Heat exchanger cooling is standard. Cupro-nickel, tube-type heat exchanger has removable ends for easy cleaning. Rubber impeller seawater pump of bronze and stainless steel is gear driven; no belt.

Fuel System

- Fuel system is self-venting.
- Injection pump with 5% mechanical governor for close AC frequency control.
- Pintle injectors with replaceable tips.
- Mechanical lift pump with hand primer. No electric pump to fail.
- Large spin-on fuel filter.
- Steel fuel lines.
- Stop solenoid acts directly on the fuel rack eliminating linkage problems.

Intake and Exhaust

- Meets US EPA Tier III emission standards.
- Washable air cleaner.
- Cast aluminum intake manifold with Sound Maze air intake reduces intake noise.
- Cast iron, wet exhaust elbow for safety.

Lubrication System

- Full flow, spin-on oil filter with bypass.
- 3.1 qt (3 ltr) oil capacity for better lubrication and 200 hour oil change intervals.
- Oil drain for quick, clean oil changes.
- Closed crankcase vent system traps oil vapor and keeps engine room clean.

DC Electrical System

- DC system uses reliable relays instead of an unrepairable printed circuit board.
- 12 volt starter motor and battery charging alternator with regulator and belt guard.
- Standard panel: Remote mount S-1B has hour meter, stop-start switch with run light and preheat switch.
- Expandable to six panels up to 110 feet from the set.
- 20 foot (6m) plug-in panel harness lets you mount your panel anywhere onboard. Better than inaccessible unit mount panels that are prone to vibration problems.
- Low oil pressure, high coolant temp and high exhaust temp safety shutdowns standard.

AC Generator

- Northern Lights, direct coupled, four pole, revolving field, four lead reconnectable generator with Class "H" insulation and prelubricated bearing. Conservative heat rise rating: 95°C/50°C ambient.
- External automatic voltage regulator gives you ±5% voltage regulation. AVR powered by dedicated AC winding for improved motor starting. AVR circuit breaker.
- 30 amp mainline circuit breaker protects generator from AC overloads and shorts.

www.northern-lights.com

Dealer

Northern Lights, Inc. • 4420 14th Ave. NW., • Seattle WA 98107
 Tel: 206-789-3880 • 1-800-762-0165 • Fax: 206-782-5455
 Information and dimensions subject to change without notice.
 Northern Lights and Lugger are registered trademarks of Northern Lights, Inc.
 © 2012 All rights reserved. Litho USA. S101 5/12